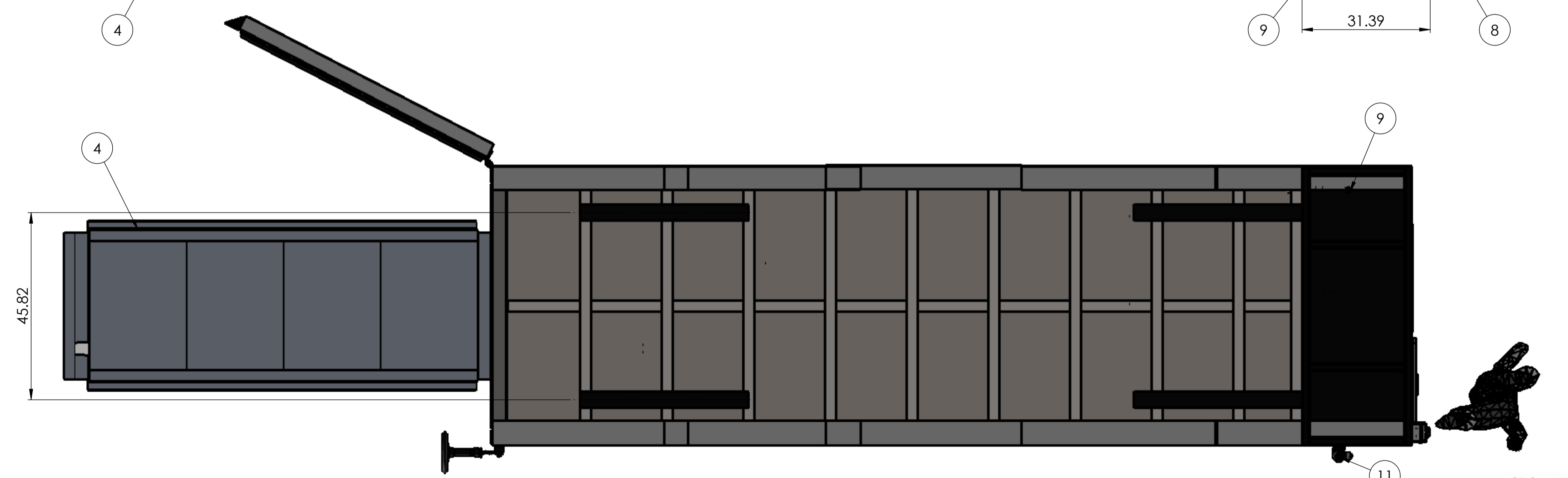
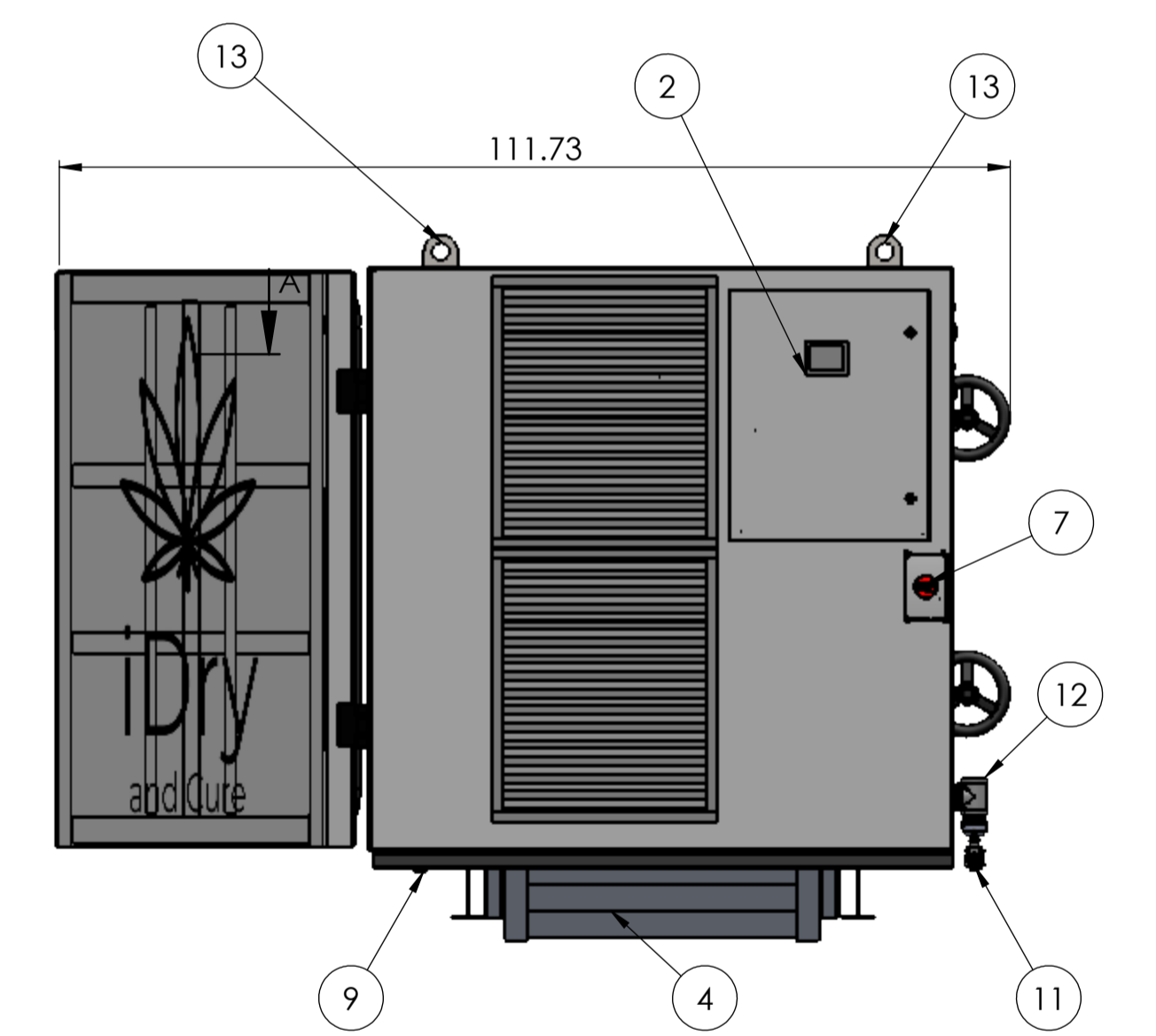
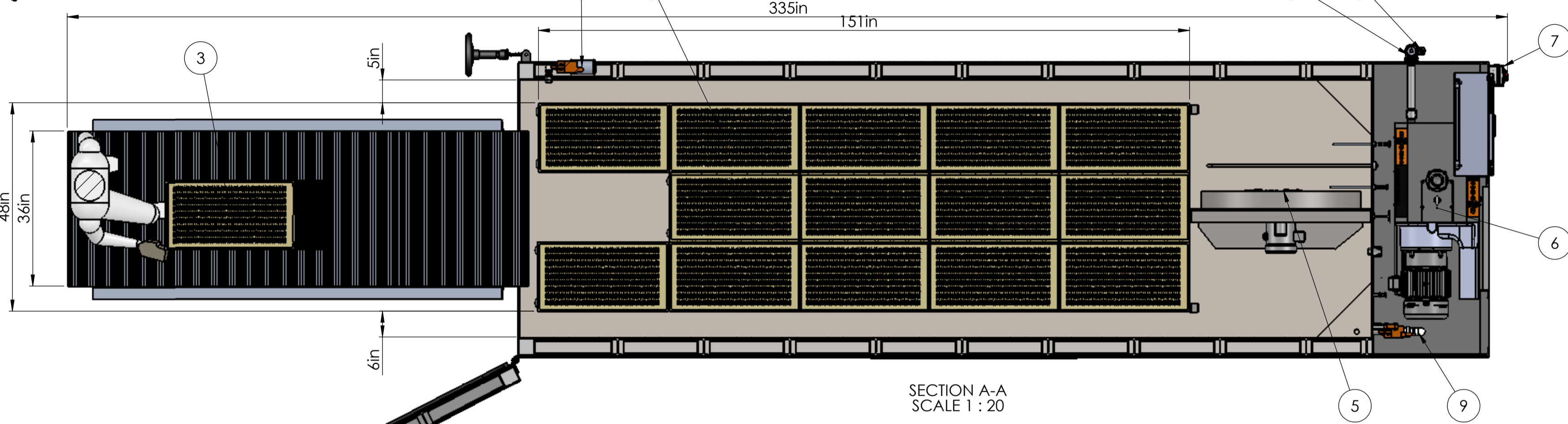


ITEM #	NAME	DESCRIPTION	QTY
1	CHAMBER	8500LBS, 70F +/-2F AMBIENT	1
2	TOUCH SCREEN	COLOR WITH REMOTE CONNECTION	1
3	DRYING TRAY	16IN X 30IN X 1.5IN DEEP, 100F MAX, SELF STACKING, WITH 15 TRAY DOLLIES	360
4	ALUM RAMP	8FT LONG X 36IN WIDE (800LB CAPACITY)	1
5	FAN	36IN DIA	1
6	VACUUM PUMP	DRY CLAW PUMP	1
7	POWER	480V 3PH 40A	1
8	VAC PUMP MOTOR EXHAUST	280F DRY HOT AIR, ~25,000BTU	1
9	VESSEL DRAIN	1IN PVC PROCESS WATER OR WASH DOWN WATER	1
10	INTAKE	CLEAN COOL AIR INTAKE, 110ACFM, 70F +/-2F, 70%RH	1
11	VACUUM PUMP DRAIN	1/2IN PROCESS WATER CONDENSATE DRAIN, WARM, ~13GAL PER DAY	1
12	VACUUM PUMP EXHAUST	2IN NPT MOIST HOT AIR EXHAUST, ~25,000BTU, 100ACFM MAX	1
13	LIFT POINT	CRANE LIFT POINTS	4



**iDRY Drying Systems**  
 Green Mountain Mechanical Design, Inc  
 29 PITMAN RD BARRE, VT 05641  
 ©2020 All Rights Reserved  
 CONFIDENTIAL

INTERPRET GEOMETRIC TOLERANCES PER ANSI Y14.5-2009 UNLESS OTHERWISE SPECIFIED DIMENSIONS ARE IN INCHES  
 UNLESS OTHERWISE SPECIFIED ALL UNTOLERANCED DIMENSIONS ARE BASIC.  
 MATERIAL: SEE NOTES  
 FINISH: SEE NOTES

LAST SAVED Friday, July 10, 2020 11:32:28 AM

DESCRIPTION:  
**iDry&Cure Standard**

DWG BY: JAP	CHK BY:	SIZE: A1	PART NUMBER: iDRY&CURE STANDARD	REV 4
MOD BY:	APR BY:	MASS:	SCALE:1:50 SHT 1 OF 1	